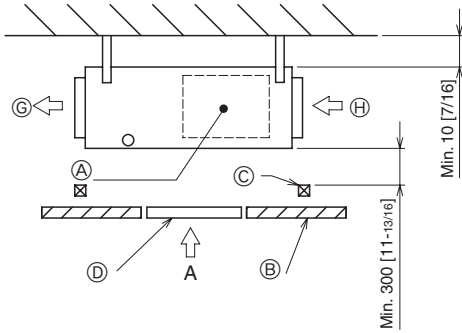


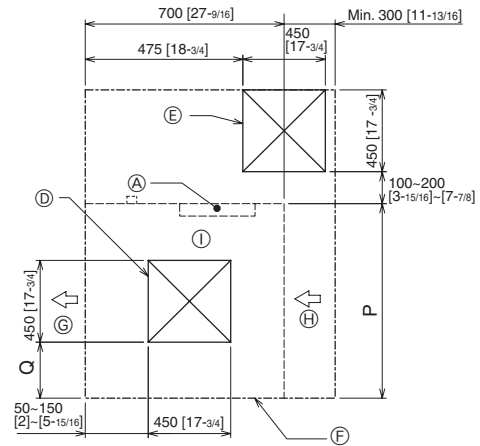
[Fig. 3.2.1]



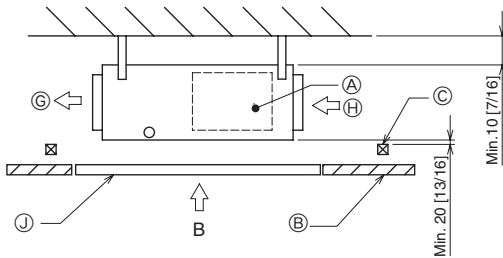
[Fig. 3.2.2]

(Viewed from the direction of the arrow A)

(Unit: mm [in])

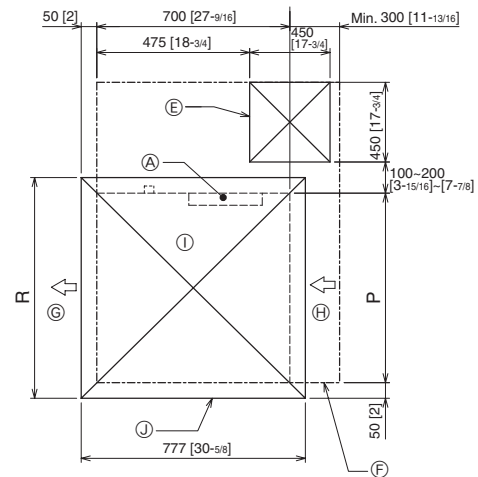


[Fig. 3.2.3]



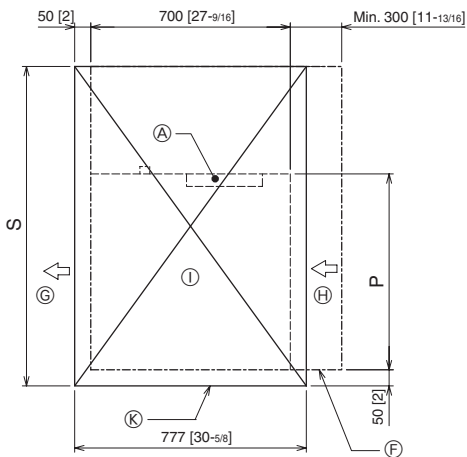
[Fig. 3.2.4]

(Viewed from the direction of the arrow B)



[Fig. 3.2.5]

(Viewed from the direction of the arrow B)



- (A) Electric box
- (B) Ceiling
- (C) Ceiling beam
- (D) Access door 2 (450 mm x 450 mm [17-3/4 in x 17-3/4 in])
- (E) Access door 1 (450 mm x 450 mm [17-3/4 in x 17-3/4 in])
- (F) Maintenance access space
- (G) Supply air
- (H) Intake air
- (I) Bottom of indoor unit
- (J) Access door 3
- (K) Access door 4

(Unit: mm [in])

Model	P	Q	R	S
PEFY-P06,08,12NMAU-E3	700 [27-9/16]	50~150 [2]~[5-15/16]	800 [31-1/2]	1300 [51-3/16]
PEFY-P15,18NMAU-E3	900 [35-7/16]	150~250 [5-15/16]~[9-7/8]	1000 [39-3/8]	1500 [59-1/16]
PEFY-P24,27,30NMAU-E3	1100 [43-5/16]	250~350 [9-7/8]~[13-13/16]	1200 [47-1/4]	1700 [66-15/16]
PEFY-P36,48NMAU-E3	1400 [55-1/8]	400~500 [15-3/4]~[19-11/16]	1500 [59-1/16]	2000 [78-3/4]
PEFY-P54NMAU-E3	1600 [63]	500~600 [19-11/16]~[23-5/8]	1700 [66-15/16]	2200 [86-5/8]