

13.4. Changing blower external static pressure

The air handler is equipped with an adjustable static pressure setting. The available settings are shown in the table below.

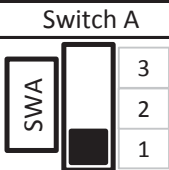
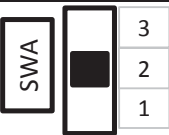
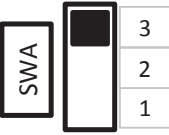
Model	Available ESP [in. WG]		
PVFX-P12	0.30	0.50	0.80
PVFX-P18	0.30	0.50	0.80
PVFX-P24	0.30	0.50	0.80
PVFX-P30	0.30	0.50	0.80
PVFX-P36	0.30	0.50	0.80*
PVFX-P42	0.30	0.50	0.80
PVFX-P48	0.30	0.50	0.80
PVFX-P54	0.30	0.50	0.80**

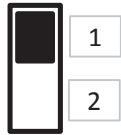
*PVFX-P36 in Downflow External Static pressure: 0.60

**PVFX-P54 in Downflow External Static pressure: 0.70

The air handler will be set to 0.50 ESP from the factory.

The blower static pressure setting can be changed by changing the dip switches SWA & SWC. Vertical, Horizontal Right, and Horizontal Left Switch C will always be in the “1” position. When the air handler is installed in the Downflow position, Switch C needs to be in the “2” position.

External Static Pressure	Switch A
0.3 in. WG (75 Pa)	
0.5 in. WG (125 Pa) (Factory Setting)	
0.8 in. WG (200 Pa)	

	Switch C
Vertical, Horizontal Right, Horizontal Left (Factory Setting)	
Downflow	