

Job Name:

System Reference:

Date:

**GENERAL FEATURES**

- Variable speed INVERTER-driven compressor
- Energy Star® certified¹ (non-ducted)
- M-NET connection through outdoor unit
- Quiet outdoor unit operation as low as 50 dB(A)
- New Intelligent Power Module (IPM) for reduced power loss
- Selectable thermal lockout/restart function
- Optional base pan heater
- High pressure switch for additional protection
- Thermal differential of +/-1° F from setpoint

¹ENERGY STAR products are third-party certified by an EPA-recognized Certification Body.

SPECIFICATIONS: NTXMMX20A122AA

Model Number	Outdoor Unit		NTXMMX20A122AA		
	Indoor Unit Type		Non-ducted	Mix	Ducted
Cooling*1	Maximum Capacity	Btu/h	20,000	20,000	20,000
	Rated Capacity	Btu/h	18,000	19,000	20,000
	Minimum Capacity	Btu/h	5,700	5,700	5,700
	Maximum Power Input	W	2,245	2,245	2,245
	Rated Power Input	W	1,417	1,709	2,000
	Power Factor	%	98.7	99.3	99.9
Heating at 47° F*2	Maximum Capacity	Btu/h	25,000	25,000	25,000
	Rated Capacity	Btu/h	22,000	22,000	22,000
	Minimum Capacity	Btu/h	7,400	7,400	7,400
	Maximum Power Input	W	2,455	2,455	2,455
	Rated Power Input	W	1,641	1,706	1,771
	Power Factor	%	96.2	97.9	99.6
Heating at 17° F*3	Maximum Capacity	Btu/h	15,500	15,000	14,500
	Rated Capacity	Btu/h	12,500	13,000	13,500
	Maximum Power Input	W	1,750	1,780	1,810
	Rated Power Input	W	1,300	1,325	1,350
Heating at 5° F*4	Maximum Capacity	Btu/h	11,100	11,000	10,900
	Maximum Power Input	W	1,600	1,625	1,650
Efficiency	SEER		20.00	18.00	16.00
	EER *1		12.70	11.35	10.00
	HSPF (IV)		10.00	9.65	9.30
	COP at 47° F*2		3.93	3.78	3.64
	COP at 17° F*3		2.82	2.87	2.93
	ENERGY STAR® Certified		Yes	No	No
Electrical	Voltage, Phase, Frequency	V AC	208 / 230V, 1-phase, 60 Hz		
	Guaranteed Voltage Range	V AC	187 - 253		
	Voltage: Indoor - Outdoor, S1-S2	V AC	208V / 230		
	Voltage: Indoor - Outdoor, S2-S3	V AC	12-24		
	Voltage: Indoor - Remote Controller	V AC	24		
	Recommended Fuse/Breaker Size	A	20		
	Recommended Wire Size (Indoor-Outdoor)	AWG	AWG14		

SPECIFICATIONS: NTXMMX20A122AA

Model Number	Outdoor Unit		NTXMMX20A122AA		
	Indoor Unit Type		Non-ducted	Mix	Ducted
Outdoor Unit	MCA	A	17.2	17.2	17.2
	Fan Motor Full Load Amperage	A	1.77	1.77	1.77
	Fan Motor Output	W	64	64	64
	Airflow Rate	CFM	1,342 / 1,458	1,342 / 1,458	1,342 / 1,458
	Refrigerant Control		Liner Expansion Valve	Liner Expansion Valve	Liner Expansion Valve
	Defrost Method		Reverse Cycle	Reverse Cycle	Reverse Cycle
	Heat Exchanger Type		Plate Fin Coil	Plate Fin Coil	Plate Fin Coil
	Sound Pressure Level, Cooling*1	dB(A)	50	50	50
	Sound Pressure Level, Heating*2	dB(A)	54	54	54
	Compressor Type		Twin Rotary type	Twin Rotary type	Twin Rotary type
	Compressor Model		SNB140FQUH2T	SNB140FQUH2T	SNB140FQUH2T
	Compressor Motor Output	kW	1.5	1.5	1.5
	Compressor Rated Load Amps	A	10.7	10.7	10.7
	Compressor Locked Rotor Amps	A	15.5	15.5	15.5
	Compressor Oil Type // Charge	oz.	NEO22 // 20.3	NEO22 // 20.3	NEO22 // 20.3
	External Finish Color		Munsell 3.0Y 7.8/1.1	Munsell 3.0Y 7.8/1.1	Munsell 3.0Y 7.8/1.1
	Base Pan Heater		Optional	Optional	Optional
	Unit Dimensions	W: In. [mm]	33-1/16 [840]	33-1/16 [840]	33-1/16 [840]
		D: In. [mm]	13 [330]	13 [330]	13 [330]
		H: In. [mm]	27-15/16 [710]	27-15/16 [710]	27-15/16 [710]
	Package Dimensions	W: In. [mm]	40 [1,010]	40 [1,010]	40 [1,010]
		D: In. [mm]	18-1/2 [470]	18-1/2 [470]	18-1/2 [470]
		H: In. [mm]	33-1/2 [850]	33-1/2 [850]	33-1/2 [850]
Unit Weight	Lbs. [kg]	126 [57]	126 [57]	126 [57]	
Package Weight	Lbs. [kg]	147 [67]	147 [67]	147 [67]	
Outdoor unit operating temperature range	Cooling Intake Air Temp (Maximum / Minimum)	°F	14 to 115	14 to 115	14 to 115
	Heating Intake Air Temp (Maximum / Minimum)	°F	5 to 75	5 to 75	5 to 75
	Thermal Lock-out / Re-start Temperatures	°F	Cooling: 10.4 / 14 Heating: 1.5 / 5	Cooling: 10.4 / 14 Heating: 1.5 / 5	Cooling: 10.4 / 14 Heating: 1.5 / 5

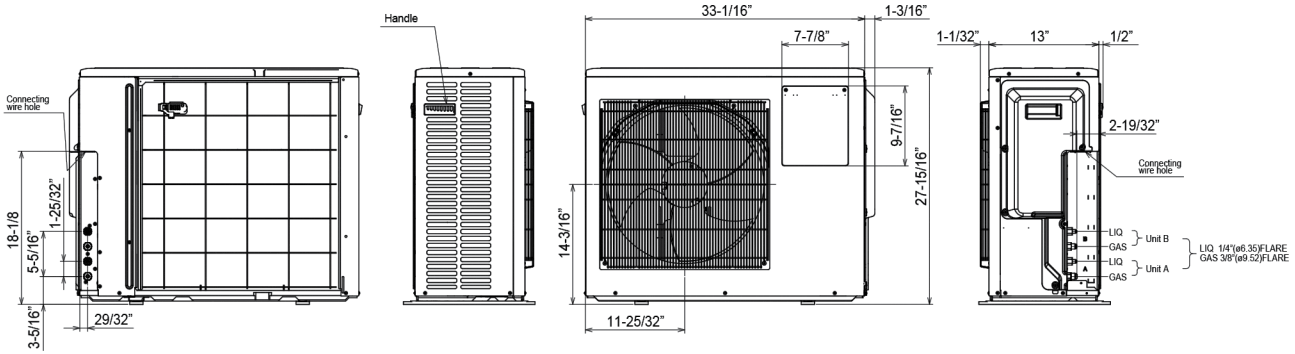
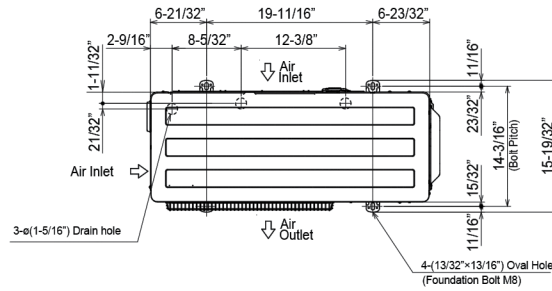
ACCESSORIES: NTXMMX20A122AA

Joint Pipe	Port Adapter size: 3/8" x 5/8"	PAC-SG76RJ-E
	Port Adapter size: 1/4" x 3/8"	PAC-493PI
	Port Adapter size: 3/8" X 1/2"	MAC-A454JP-E
	Port Adapter size: 1/2" X 3/8"	MAC-A455JP-E
	Port Adapter size: 1/2" X 5/8"	MAC-A456JP-E
Air Discharge Guide		PAC-ADG856AA-E
Base Pan Heater		PAC-646BH-E
Control Cable		CW162S
3-pole Disconnect		TAZ-MS303
M-NET Adapter		PAC-IF01MNT-E
Wall Mounting Bracket (Powder-coated Steel)		QSWB2000M-1
Wall Mounting Bracket (316 Series Stainless Steel)		QSWBSS
Outdoor Unit Mounting Pad 24" x 42" x 3"		ULTRILITE2
MiniSplit Mounting Stand-Single Fan - 12"		QSMS1201M
MiniSplit Mounting Stand-Single Fan - 18"		QSMS1801M
MiniSplit Mounting Stand-Single Fan - 24"		QSMS2401M
Diamondback Linesets*1	1/4 x 1/2 x 15' / 1/2" Lineset (Twin-Tube Insulation)	MLS141212T-15
	1/4 x 1/2 x 30' / 1/2" Lineset (Twin-Tube Insulation)	MLS141212T-30
	1/4 x 1/2 x 50' / 1/2" Lineset (Twin-Tube Insulation)	MLS141212T-50
	1/4 x 1/2 x 65' / 1/2" Lineset (Twin-Tube Insulation)	MLS141212T-65
	1/4 x 1/2 x 100' / 1/2" Lineset (Twin-Tube Insulation)	MLS141212T-100
	3/8 x 5/8 x 10' / 1/2" Lineset (Twin-Tube Insulation)	MPLS385812T-10
	3/8 x 5/8 x 15' / 1/2" Lineset (Twin-Tube Insulation)	MPLS385812T-15
	3/8 x 5/8 x 30' / 1/2" Lineset (Twin-Tube Insulation)	MPLS385812T-30
	3/8 x 5/8 x 50' / 1/2" Lineset (Twin-Tube Insulation)	MPLS385812T-50
	3/8 x 5/8 x 65' / 1/2" Lineset (Twin-Tube Insulation)	MPLS385812T-65
	3/8 x 5/8 x 100' / 1/2" Lineset (Twin-Tube Insulation)	MPLS385812T-100

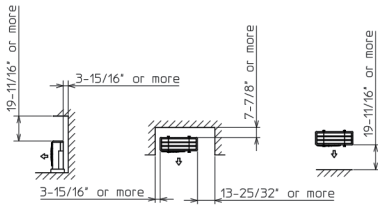
*1 Linesets are indoor unit specific and will be listed in the IDU information - the Joint Pipe adaptors are used in this application

DIMENSIONS: NTXMMX20A122AA

Unit: inch



1. FREE SPACE



2. SERVICE SPACE

